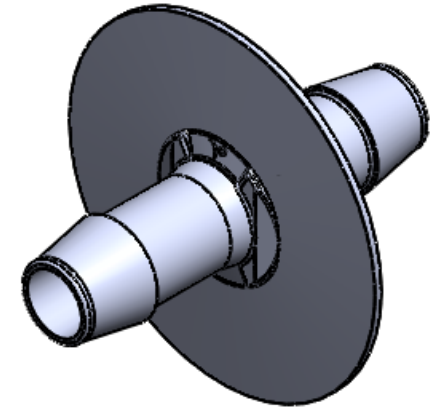
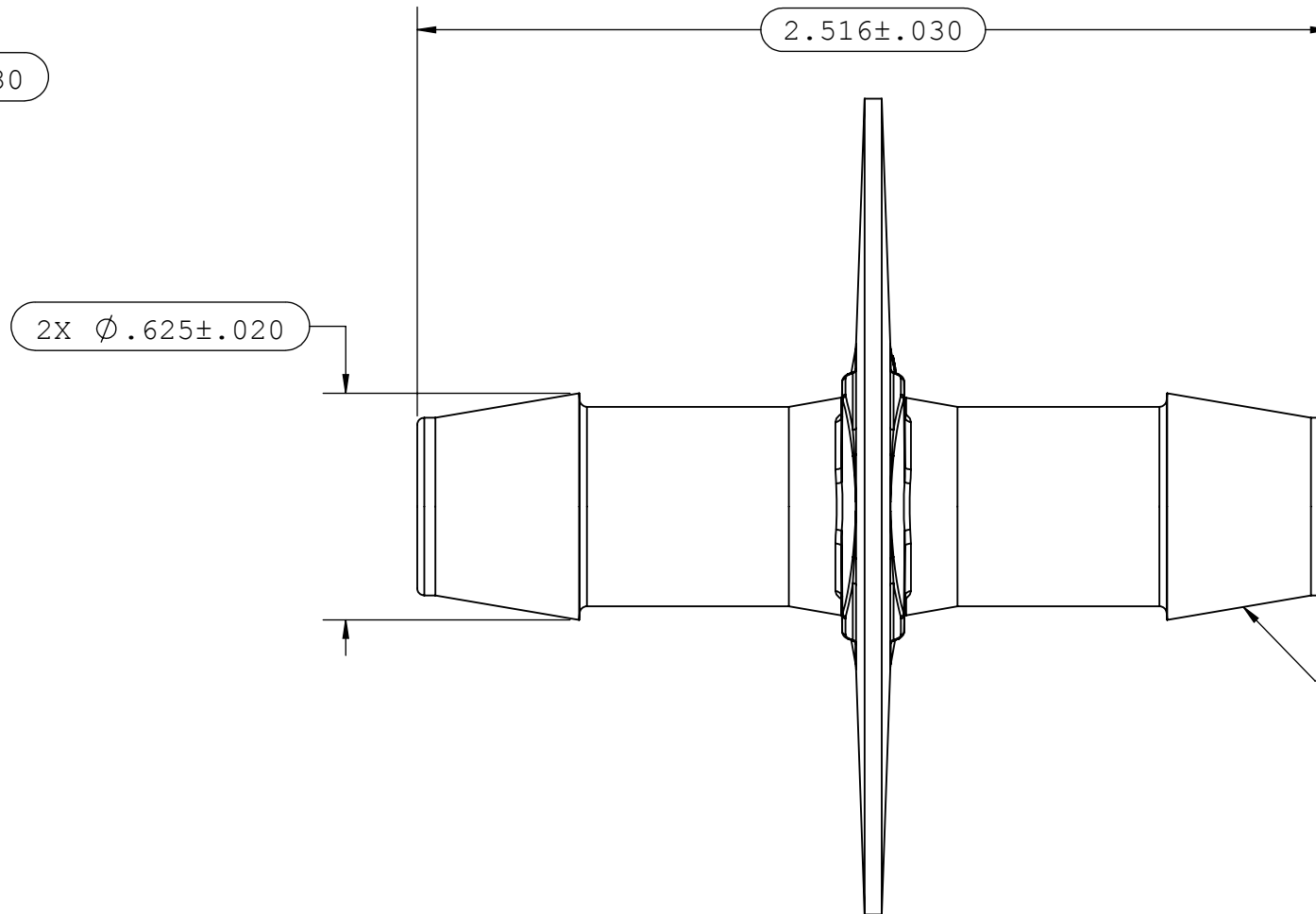
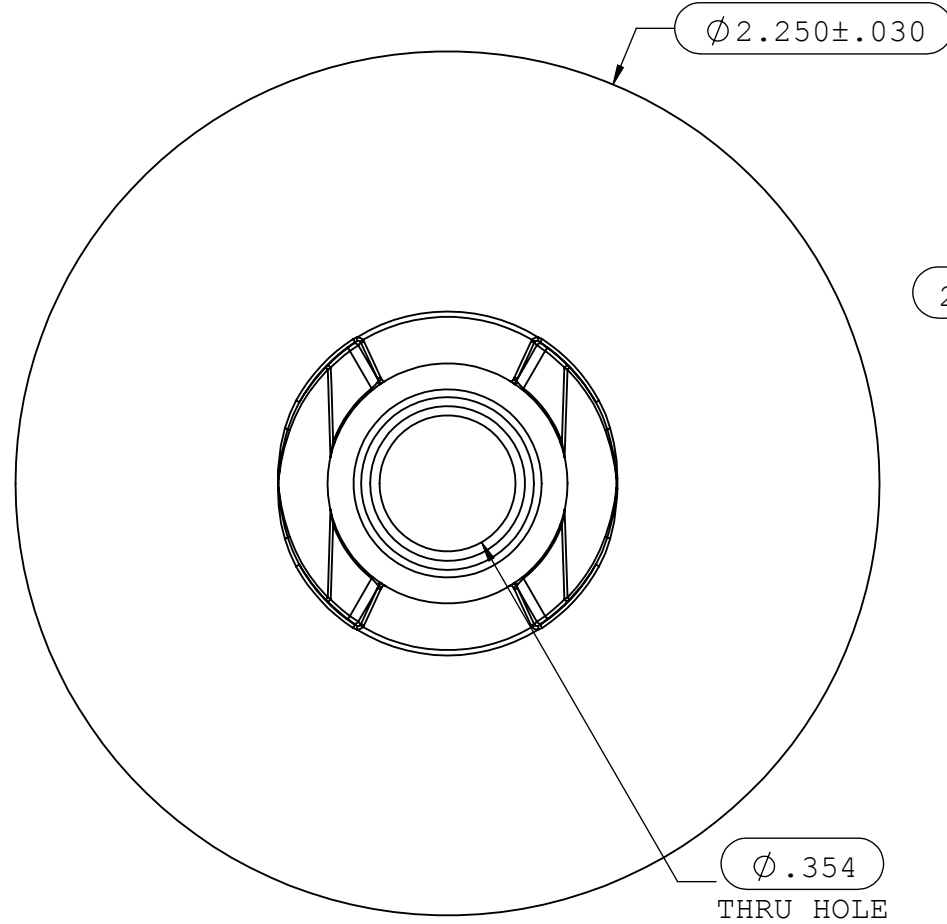


NOTES: FOR ADDITIONAL DETAILS, PLEASE CONTACT VP CUSTOMER SERVICE
 DIMENSIONS MARKED ϕ ARE CONTROL DIMENSIONS

REVISIONS			
REV.	DESCRIPTION	DATE	APPROVED
A	INITIAL RELEASE	06-10-14	H.L



2X INSTRUMENT QUALITY PART.
 NO PARTING LINES PERMITTED
 ON THIS SEALING SURFACE.

UNLESS OTHERWISE SPECIFIED DIMENSIONS ARE IN INCHES TOLERANCES ARE:		VALUE PLASTICS, INC			
FRACTIONS DECIMAL ANGULAR ± .XX ±.01 ± 1° .XXX ±.005 .XXXX ±.001		PART NUMBER: SFBP680_680			
DO NOT SCALE DRAWING		DESCRIPTION: BAG PORT STRAIGHT THROUGH W/ 600 SERIES BARBS, 1/2" (12.7 mm) TO 1/2" (12.7 mm) I.D. TUBING			
DRAWN BY: kyles	DATE: 6/11/2014	SIZE: B	SCALE: NTS	VER: 	DWG. NO. REV 1030640 A
MANAGER: RaviN		© 2011 VALUE PLASTICS, INC			SHEET: 1 OF 1

FOR REFERENCE ONLY